

Hinowa®

Presents
The new truck-mounted aerial
platform - B driving licence

 **ORCHIDEA LIFT 2.11**

“OUR JEWEL IN THE CROWN”



HINOWA SPA Via Fontana - 37054 NOGARA - VERONA (ITALY)
Tel. +39 0442 539100 - Fax +39 0442 513775
info@hinowa.com - www.hinowa.com

ORCHIDEA LIFT 21.11

The new aerial platform **Orchid Lift 21-11** is in the forefront of aerial platforms with innovative and advantageous solutions created by Hinowa over many years of construction.



ORCHIDEA LIFT 2.II

- 1- Hydraulic variable stabilization, with cylinders controllable and manoeuvrable from the basket.
The stabilization system reduces the risk of instability and floor damaging due to the foot dragging.
- 2- Automatic stabilization and destabilization on inclinations up to 4°.

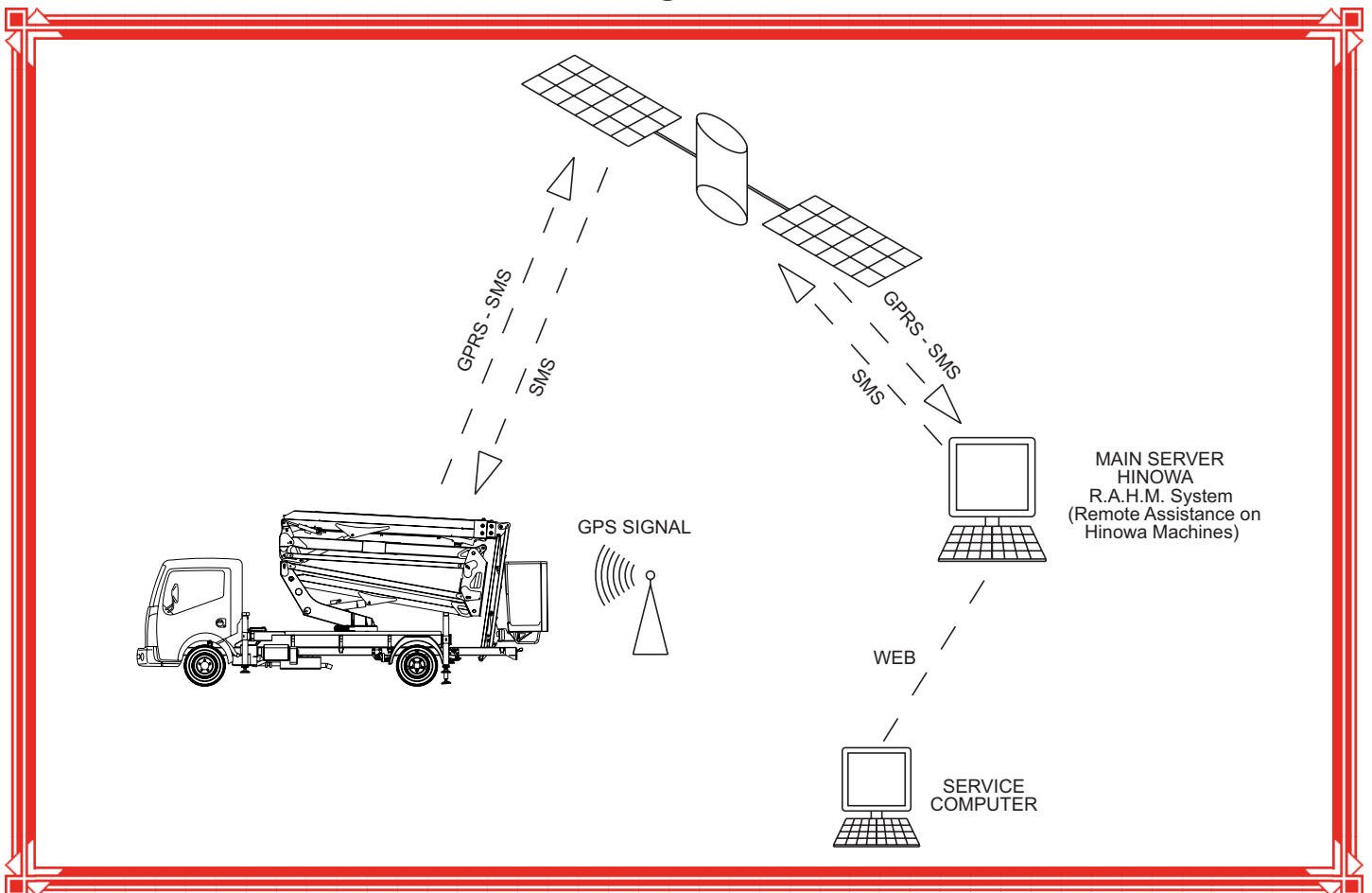


- 3- GO HOME Function
Allows the automatic closing and alignment of the arms simply pushing a button. It drastically reduces the time of arms' closing and excludes any risk of mistake in this delicate working phase.
- 4- “In shape” rotation with anti-collision control between the structure, the chassis, the cabin and the outriggers.
- 5- JIB arm.
- 6- Basket rotation.

- 7- Interactive display that provides the operator useful information during operation in order to avoid machine stops due to user errors.



- 8- Visibility of the machine on the web R.A.H.M. that through a satellite system allows the location of the machine worldwide and to verify the state and regularity of use.



9- Lubrication-free pins.



10- Acceleration and deceleration control on all the movements that make the platform extremely manageable and consequently within everybody's reach.

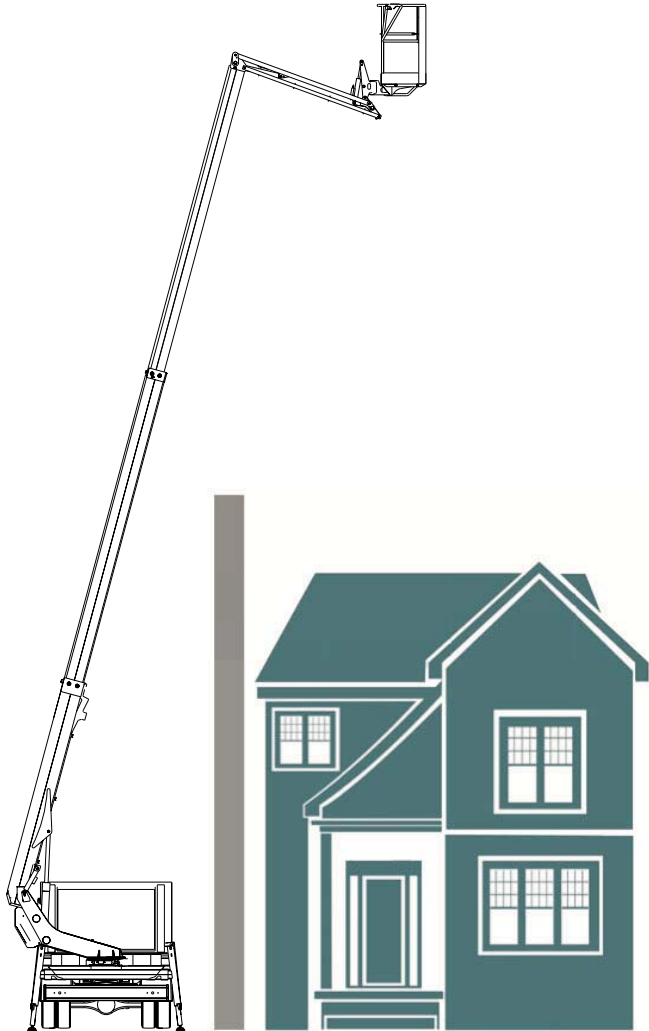
11- Emergency descent for gravity controlled from the basket.

ORCHIDEA LIFT 21.1

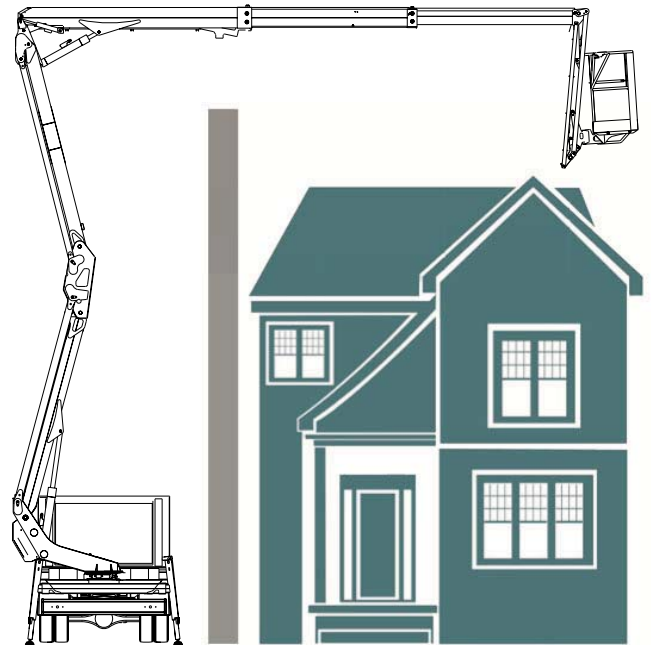
12- Double pantograph lifting system which assure a vertical movement of the basket up to 11 metres working height.



The particular articulated structure allows it to reach working areas overcoming every obstacle.



**TELESCOPIC SYSTEM
NOT OPTIMAL**



**HINOWA SYSTEM
OPTIMAL**

13- Engine revolution control: the engine revolutions changes in function of the selected movement. An automatic control prevents the functioning if the engine revolutions exceed the allowed maximum.

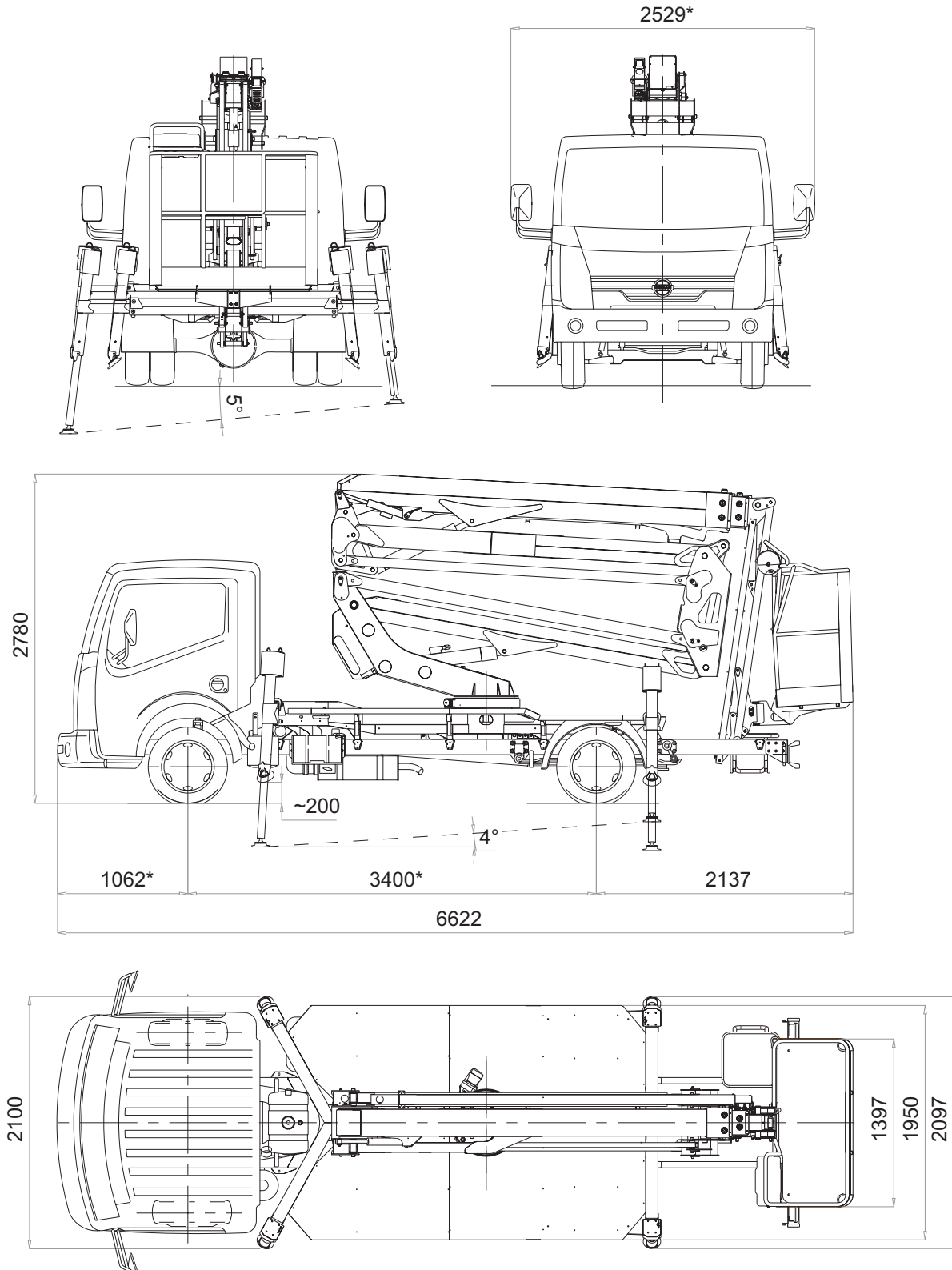
- 14- Automatic control of the complete closure of the machine to allow transport of the outriggers avoiding any risk of driving with part of the arm out of the structure with consequent sanction and insurance charges in case of accident.
- 15- Extension protection brushes.
- 16- 220 volt socket in the basket.
- 17- Auto-restoring fuses on the control boards free of maintenance.
- 18- Stabilized outriggers lights.



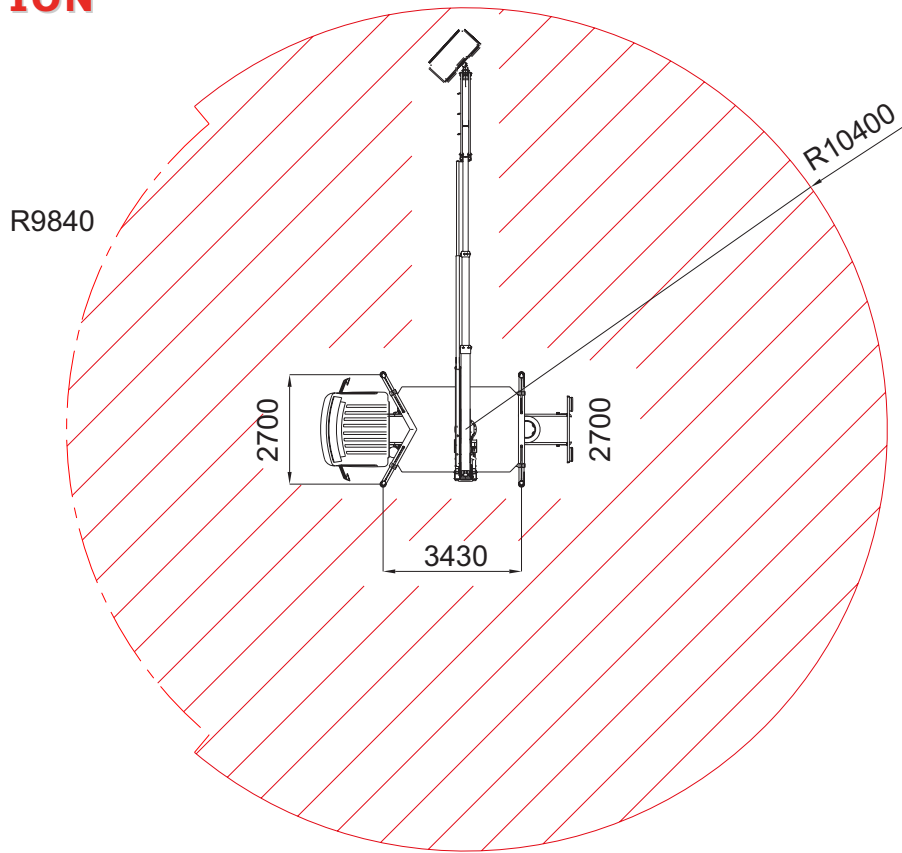
- 19- Planarity control spirit level which automatically controls and prohibits the use of the aerial part if the chassis is not perfectly horizontal.

ORCHIDEA LIFT 2.11

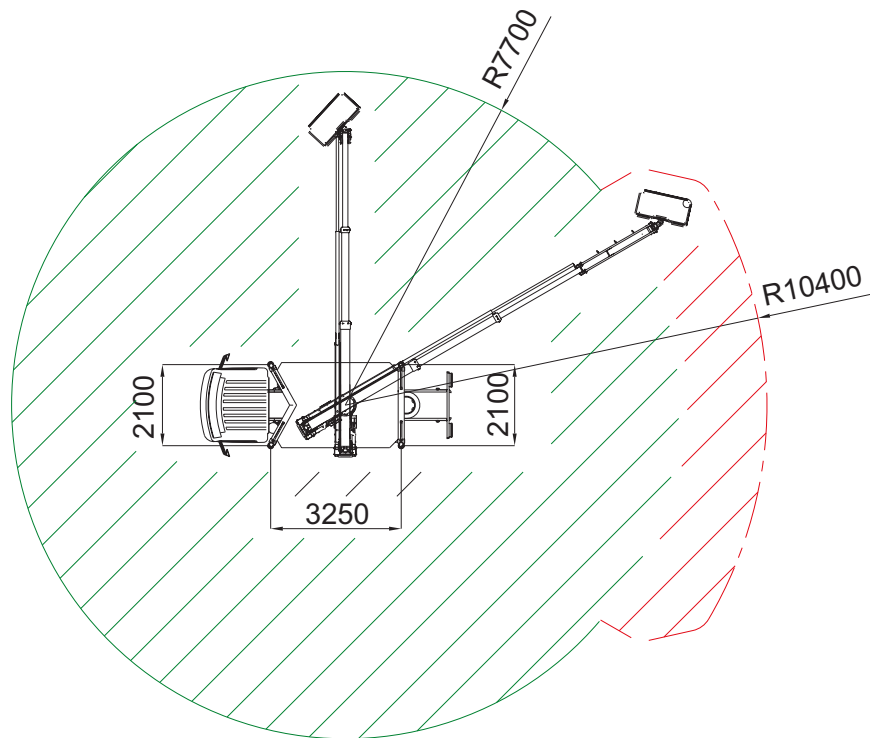
20-Top class performances: 21 m. working height with 11 m. outreach.
200 Kg fixed capacity.



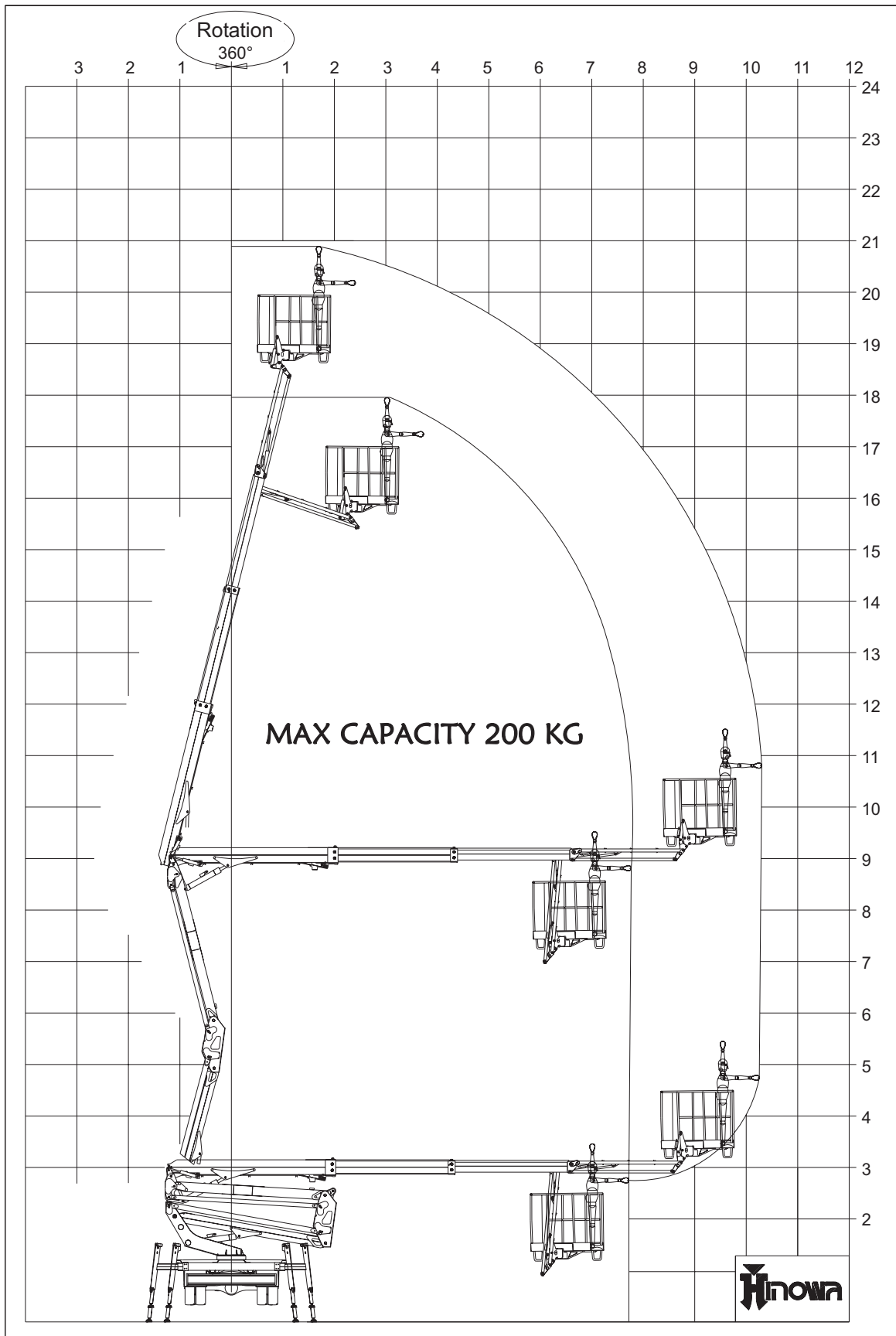
TOTAL STABILIZATION AREA



REDUCED STABILIZATION AREA



ORCHIDEA LIFT 2.11



SPECIFICATIONS

	REDUCED STABILIZATION AREA	TOTAL STABILIZATION AREA
WALKWAY SURFACE HEIGHT	15750mm	18900mm
MAX WORKING HEIGHT	17750mm	20900mm
BASKET DIMENSIONS	1400x640 H1100 mm	
HORIZONTAL REACH	7250mm	9950mm
MAX. HORIZONTAL WORK REACH	7700mm	10400mm
PLATFORM ROTATION (not continuous)	363°	
BASKET ROTATION.....	124° (+/-62°)	
CAPACITY	200kg	
N° OPERATORS.....	2	
ARTICULATED JIB	/95° (-5° /90°)	
MAX. WORKING INCLINATION	1° /2,2%	
CHASSIS:	NISSAN CABSTAR 35.11	
.....	Pitch 3400, 110 HP	
CHASSIS (optional):	NISSAN CABSTAR 35.13	
.....	Pitch 3400, 130 HP	

